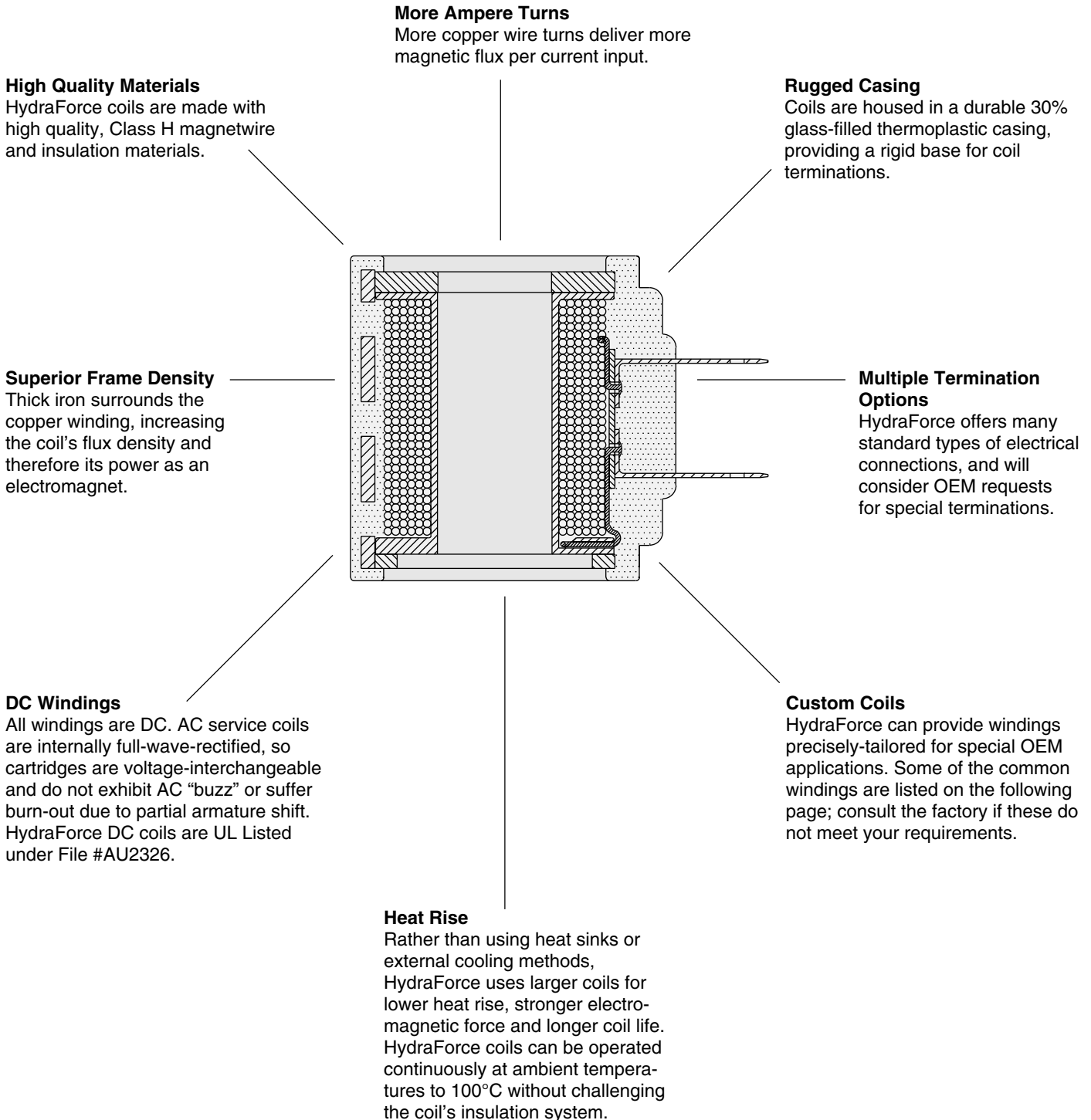


COILS AND ELECTRONIC CONTROLS

Standard Coils and Proportional Valve Coils

WHY HYDRAFORCE STANDARD COILS OUTPERFORM COMPETITIVE UNITS



Note: Some coils may differ in construction from this illustration.

Standard Coils and Proportional Valve Coils

COMMON WINDING SPECIFICATIONS

08, 80 Size Coil Data (14.7 Watts)		
Volts	Resistance (DC) @ 20°C Ohms	Initial Current Draw Amps
DC Service		
6*	2.46	2.44
10	6.8	1.47
12	9.8	1.22
20*	27.2	0.74
24	39.3	0.61
30*	61.4	0.49
36	88.3	0.41
48	156.6	0.31
72*	352.4	0.20
AC Service		
24	31.2	0.61
115	765.5	0.13
230	3035.0	0.06

*Special Order Coils

10, 38, 58, 12, 52, 16, 56 Size Coil Data (20 Watts)		
Volts	Resistance (DC) @ 20°C Ohms	Initial Current Draw Amps
DC Service		
6*	1.8	3.33
10	4.8	2.08
12	7.2	1.67
20*	19.0	1.05
24	28.8	0.83
30*	43.2	0.69
36	64.8	0.56
48	110.2	0.44
72*	249.8	0.29
AC Service		
24	23.6	0.83
115	568.0	0.17
230	2304.0	0.09

*Special Order Coils

70 Size Coil Data Proportional Coil Data		
Volts	Resistance (DC) @ 20°C Ohms	Nominal I-Max. Current Draw Amps
12	5.0	1.50
24	20.0	0.75

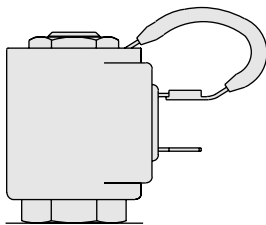
EHPR Coil Data Proportional Coil Data		
Volts	Resistance (DC) @ 20°C Ohms	Nominal I-Max. Current Draw Amps
10	3.1	1.50
12	5.4	1.20
20	12.5	0.75
24	21.7	0.60

COIL INFORMATION

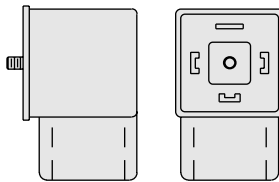
- AC service coils are internally rectified, and can be used in 50 or 60 cycle (Hz) lines.
- Special voltages and terminations are available for OEM applications; consult factory.
- Coil should always be installed with lettering facing up.
- Standard coils are not hermetically sealed. For applications requiring water or weather resistant coils, see pages 3.400.1-8
- AC voltage service with transient surges over 1000 volts may require that a varistor be placed in parallel at the coil.

Voltage	Varistor Part No.	Joule Rating Required
115	GE: V150LA10A Siemens: S10R150 or equivalent	45 minimum
230	GE: V250LA40A Siemens: S20R250 or equivalent	130 minimum

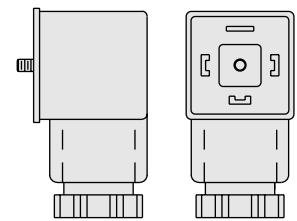
COIL ACCESSORIES



**Coil Ground Strap
for DS Coils
P/N 6502200**



**DIN 43650
1/2" Conduit to Connector
P/N 6110001**

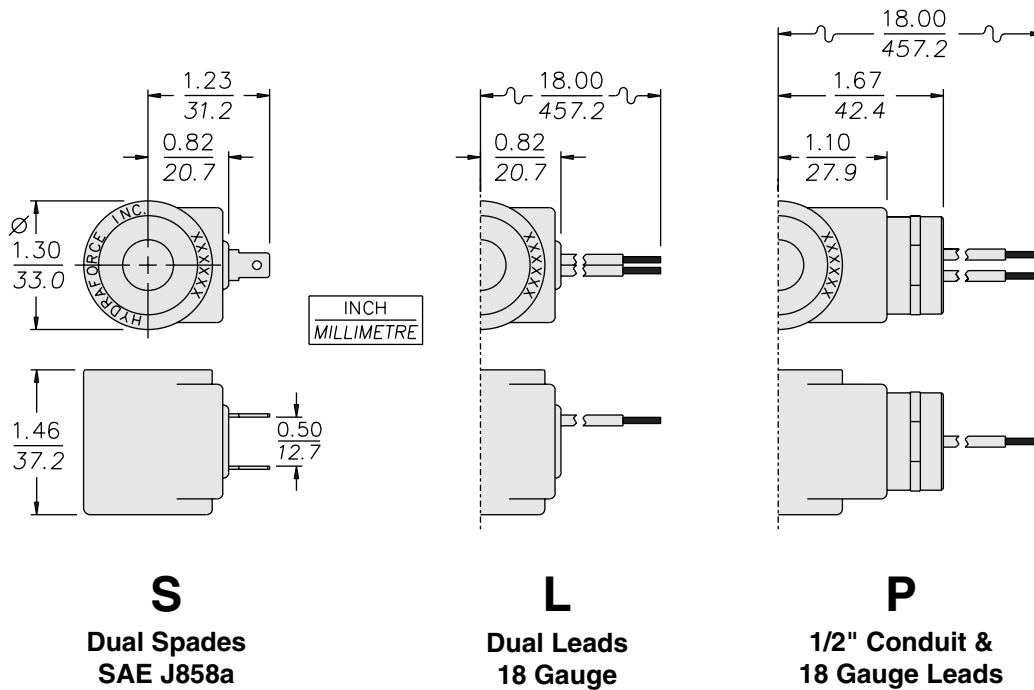


**DIN 43650
Cable Gland PG 9
(7 mm nominal cable diameter)
P/N 6110002
or Cable Gland PG 11
(9 mm nominal cable diameter)
P/N 6110005**

COILS AND ELECTRONIC CONTROLS

Standard Coils and Proportional Valve Coils

SERIES 08, 80, 88, 98 COIL INFORMATION



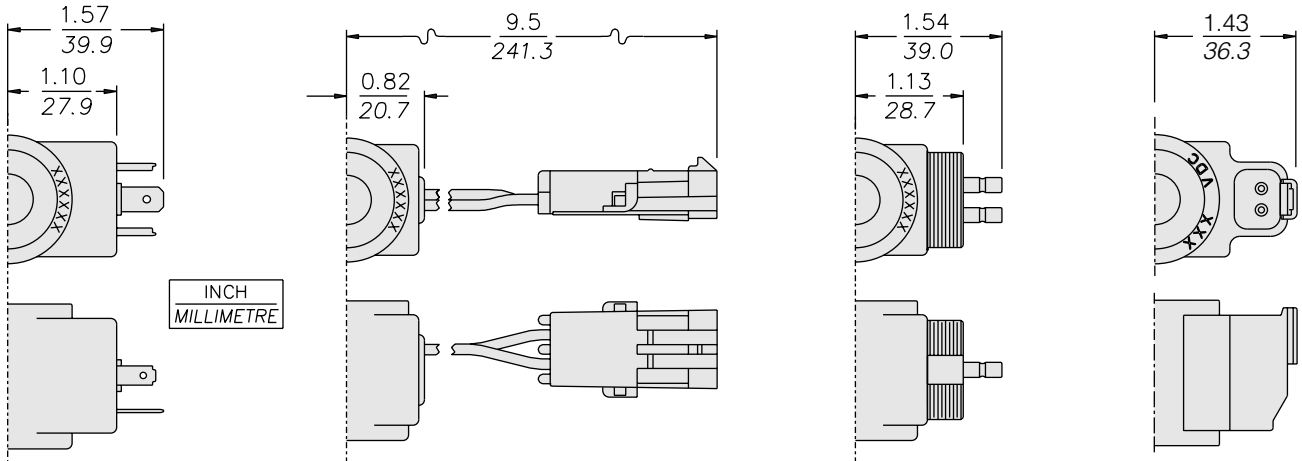
Optional 36-inch leads available. Consult factory.

Voltage	Part Number Suffix		
	S	L	P
10 VDC	6301010	6302010	
12 VDC	6301012	6302012	6305012
24 VDC	6301024	6302024	6305024
36 VDC	6301036	6302036	
48 VDC	6301048	6302048	
*24 VAC			6315024
*115 VAC			6315115
*230 VAC			6315230

*Rectified

Standard Coils and Proportional Valve Coils

SERIES 08, 80, 88, 98 COIL INFORMATION



G

**DIN 43650
Connector**

W

**Dual 18 Gauge Leads with
Weather Pack® Connector**

For use with Packard part no. 12015792
male plug

K

**Kostal
Connector**

DK Coils; U.K.
availability only.

DR

**Integral Deutsch
Connector**

DR Models without Diode
DR/D Models with Diode
DR/Z Models with Zener Diode

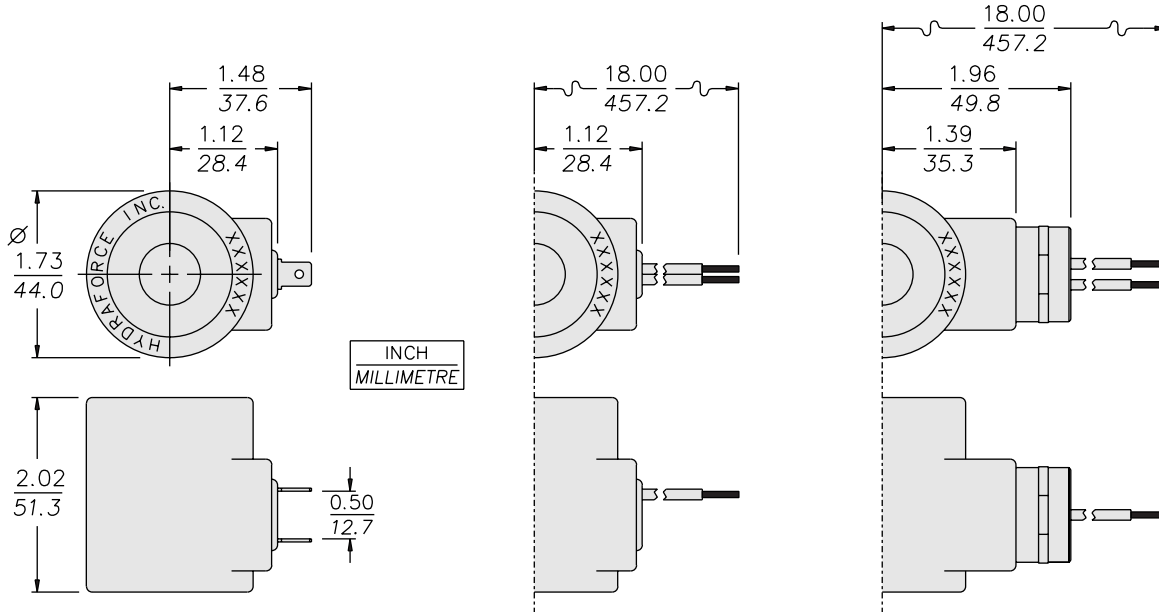
Voltage	Part Number Suffix					
	G	W	K	DR	DR/D	DR/Z
10 VDC		6309410				
12 VDC	6306012	6309412	6348812	4301512	4301872	4301852
24 VDC	6306024	6309424	6348824	4301524	4301874	4301854
36 VDC	6306036	6309436				
48 VDC	6306048	6309448				
*24 VAC	6316024					
*115 VAC	6316115					
*230 VAC	6316230					

*Rectified

COILS AND ELECTRONIC CONTROLS

Standard Coils and Proportional Valve Coils

SERIES 10, 12, 16, 38, 58 COIL INFORMATION



S

**Dual Spades
SAE J858a**

L

**Dual Leads
18 Gauge**

Optional 36-inch leads
available. Consult factory.

P

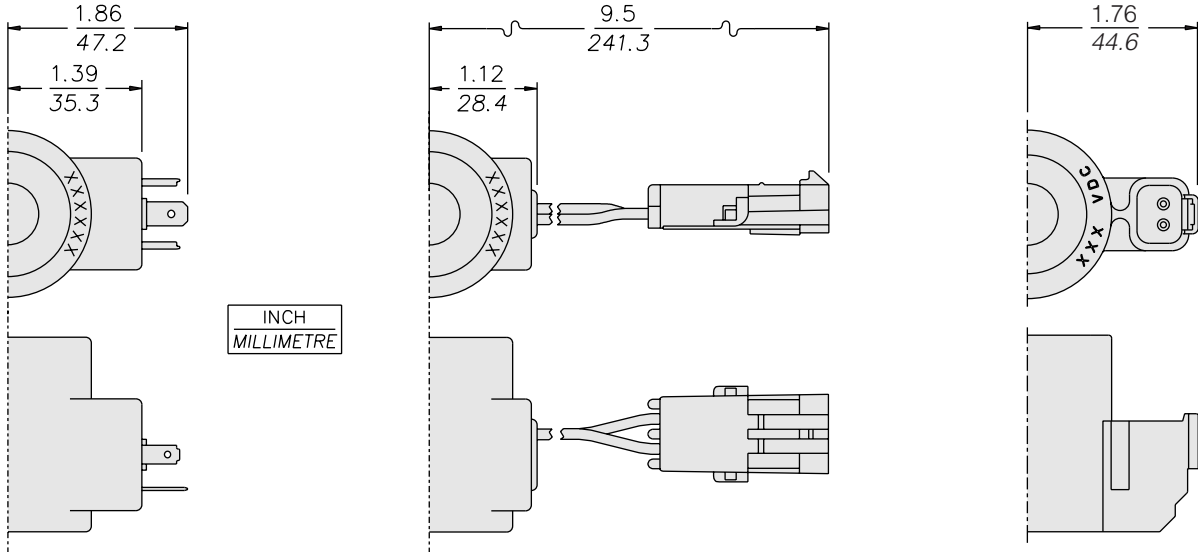
**1/2" Conduit &
18 Gauge Leads**

Voltage	Part Number Suffix		
	S	L	P
10 VDC	6351010	6352010	
12 VDC	6351012	6352012	6355012
24 VDC	6351024	6352024	6355024
36 VDC	6351036	6352036	
48 VDC	6351048	6352048	
*24 VAC			6365024
*115 VAC			6365115
*230 VAC			6365230

*Rectified

Standard Coils and Proportional Valve Coils

SERIES 10, 12, 16, 38, 58 COIL INFORMATION



G
DIN 43650
Connector

W
Dual 18 Gauge Leads with
Weather Pack® Connector
For use with Packard part no. 12015792
male plug

DR
Integral Deutsch
Connector
DR Models without Diode
DR/D Models with Diode
DR/Z Models with Zener Diode

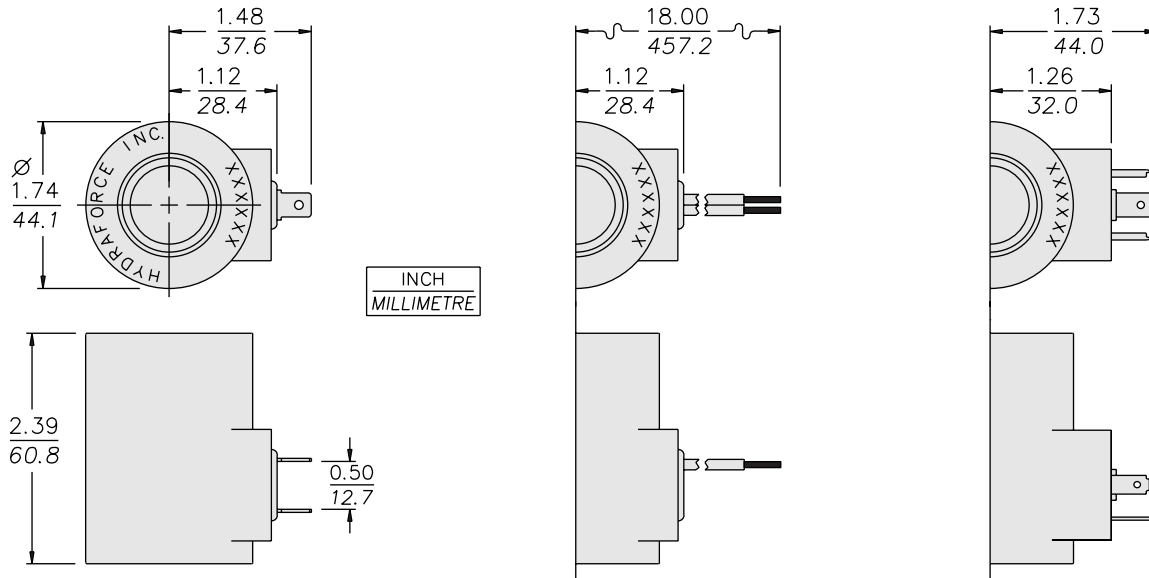
Voltage	Part Number Suffix				
	G	W	DR	DR/D	DR/Z
10 VDC		6359410			
12 VDC	6356012	6359412	4301612	4301892	4301862
24 VDC	6356024	6359424	4301624	4301894	4301864
36 VDC	6356036	6359436			
48 VDC	6356048	6359448			
*24 VAC	6366024				
*115 VAC	6366115				
*230 VAC	6366230				

*Rectified

COILS AND ELECTRONIC CONTROLS

Proportional Valve Coils

SIZE 70 COIL INFORMATION



S
Dual Spades
SAE J858a

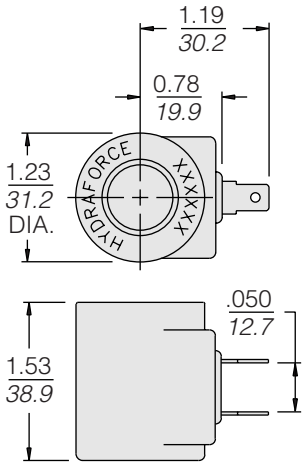
L
Dual Leads
18 Gauge

G
DIN 43650
Connector

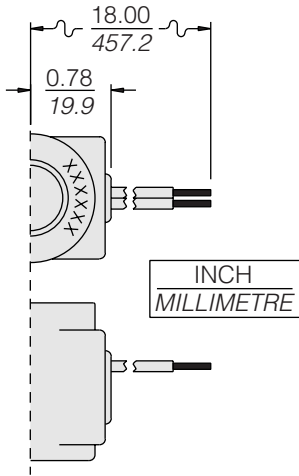
Voltage	Part Number Suffix		
	S	L	G
12 VDC	6507112	6507212	6507612
24 VDC	6507124	6507224	6507624

Proportional Valve Coils

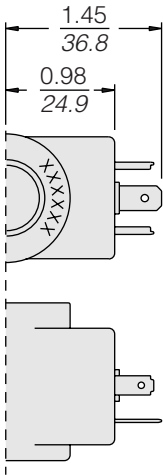
SERIES EHPR08 COIL INFORMATION



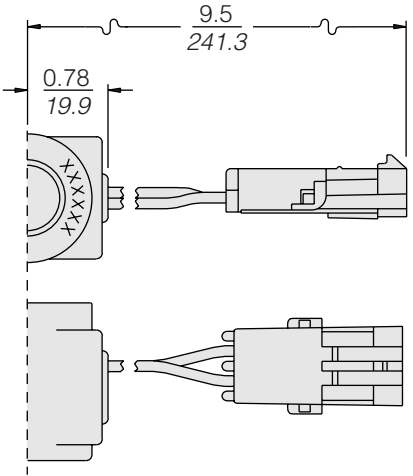
S
Dual Spades
SAE J858a



L
Dual Leads
18 Gauge
Optional 36-inch leads
available. Consult factory.



G
DIN 43650
Connector



W
Dual 18 Gauge Leads with
Weather Pack® Connector
For use with Packard part no. 12015792
male plug

Voltage	Part Number Suffix			
	S	L	G	W
12 VDC	6451112	6451212	6451612	6451512
24 VDC	6451124	6451224	6451624	6451524